



UNIFLEX

Proven cable carrier with many opening and cover variants*

- Cost-effective cable carrier
- Particularly high torsional rigidity
- TÜV design approved in accordance with 2PFG 1036/10.97



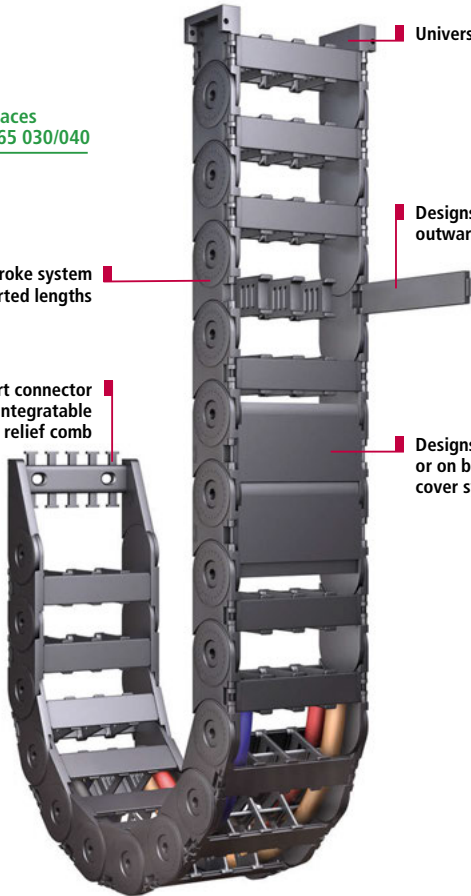
NOTE:

UNIFLEX Advanced replaces UNIFLEX 0455/0555/0665 030/040

- + improved design
- + more cost effective
- > from page 12

Robust, double stroke system for long unsupported lengths

Single-part connector with integratable strain relief comb



Universal connectors (UMB)

Designs with inward or outward opening brackets

Designs covered on one side or on both sides with plastic cover system

Inside heights



Inside widths



kabelschlepp.de

Font: +49 2762 4003-0

OnlineEngineer.de
TSUBAKI KABELSCHLEPP
 Cable Carrier Configuration



Design 030 with outward opening and detachable brackets



Design 040 with inward opening and detachable brackets



Design 050 – covered on one side



Design 060/080 – TUBE SERIES covered cable carriers

Subject to change.

* Some features can be different for certain types for design reasons. Our specialists are happy to advise you.

Overview UNIFLEX

Inside heights



Inside widths



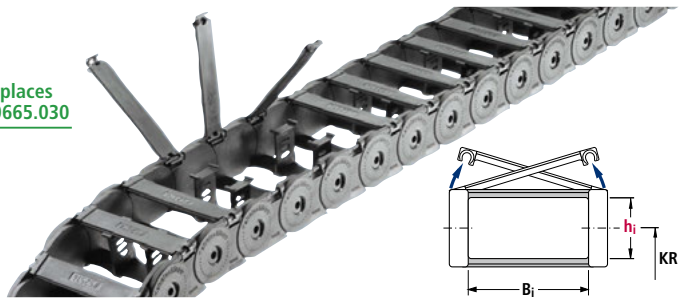
kabelschlepp.de

Design 030 with outward opening and detachable brackets



NOTE:
UNIFLEX Advanced replaces
UNIFLEX 0455/0555/0665.030

- + improved design
- + more cost effective
- > from page 12



Type	h _i	B _i	Maximum travel length in m	Dynamics of unsupported arrangement		Page
				Travel speed v _{max} in m/s	Travel acceleration a _{max} in m/s ²	
0250.030	17.5	20-80	60	10	50	100
0345.030	20	15-90	80	10	50	102

Dimensions in mm

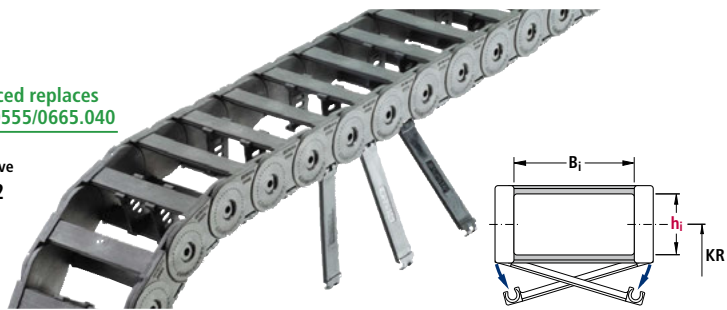
Fon: +49 2762 4003-0

Design 040 with inward opening and detachable brackets



NOTE:
UNIFLEX Advanced replaces
UNIFLEX 0455/0555/0665.040

- + improved design
- + more cost effective
- > from page 12



Type	h _i	B _i	Maximum travel length in m	Dynamics of unsupported arrangement		Page
				Travel speed v _{max} in m/s	Travel acceleration a _{max} in m/s ²	
0345.040	20	15-90	80	10	50	102

Dimensions in mm

Use our free project planning service.

Overview UNIFLEX

Design 050 – covered on one side



Inside heights



Inside widths



Type	h _i	B _i	Maximum travel length in m	Dynamics of unsupported arrangement		Page
				Travel speed v _{max} in m/s	Travel acceleration a _{max} in m/s ²	
0345.050	20	15-65	80	10	50	104
0455.050	26	25-130	120	10	50	104
0555.050	38	50-150	125	9	45	104
0665.050	44	50-175	150	8	40	104

Dimensions in mm

kabelschlepp.de

TUBE SERIES – covered cable carriers

Design 060 with plastic cover system

- Outside and inside: Covered
- Inside: Hinged, openable (on the right/left) and detachable cover



Design 080 – lightweight – with plastic cover system

- Outside: Detachable cover
- Inside: Covered



Font: +49 2762 4003-0

OnlineEngineer.de
TSUBAKI KABELSCHLEPP
 Cable Carrier Configuration

Type 0250

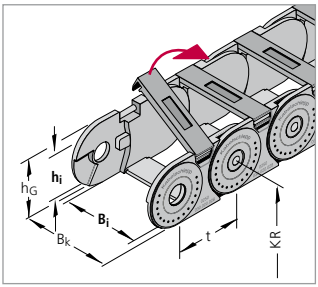
Design 030

Outside: Hinged, openable and detachable brackets

Inside height



Inside widths



kabelschlepp.de

Dimensions and intrinsic chain weight

Type	h _i	h _G	Inside widths B _i				B _k	
			Intrinsic chain weight					
0250	17.5	23	20	30	40	50	65	B _i + 10
			0.26	0.31	0.33	0.35	0.38	

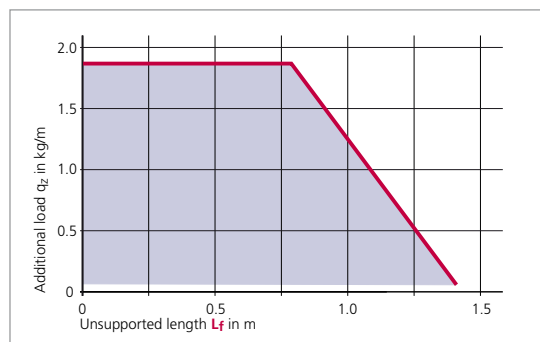
Dimensions in mm/Weights in kg/m

Bend radius and pitch

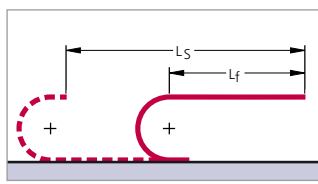
Bend radii KR mm						Pitch t = 25.0 mm
28	38	45	60	75	100	

Load diagram

for unsupported length L_f depending on the additional load



Unsupported length L_f



In the case of longer travel lengths, sag of the cable carriers is technically permissible depending on the application.

In a gliding arrangement, even longer travel lengths are possible (see page 375).

We are at your service to advise on these applications.

Example of ordering

Cable carrier				Divider system		Connection
0250	030	40	45	650	TS 0 / 2	FA/MA
Type	Design	Inside width B _i in mm	Bend radius KR in mm	Chain length L _k in mm (without connection)	Divider system	Number of dividers n _T
						Connection Fixed point/Driver

Ordering divider systems:

Please state the designation of the divider system (TS 0, TS 1 ...) and the number of dividers. Possibly attach a sketch with the dimensions.

Fon: +49 2762 4003-0

Use our free project planning service.

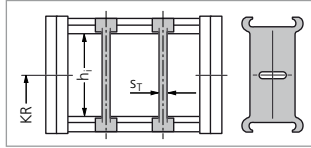
Type 0250

Divider system TS 0

Type	h_i mm	S_T mm
0250	17.5	2

The dividers can be moved in the cross section.

In the standard version, the divider systems are mounted on every second chain link.



The divider system TS 1 with a **central** height sub-division ($S_H = 2.4$ mm) is also available for the type 0250.

Inside height

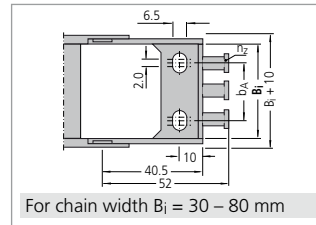
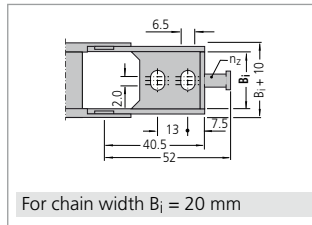
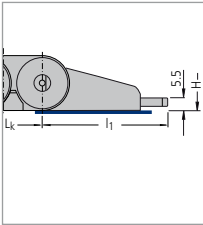


Inside widths



Connection dimensions

Plastic connectors with integrated strain relief



The dimensions of the fixed point and driver connections are identical.

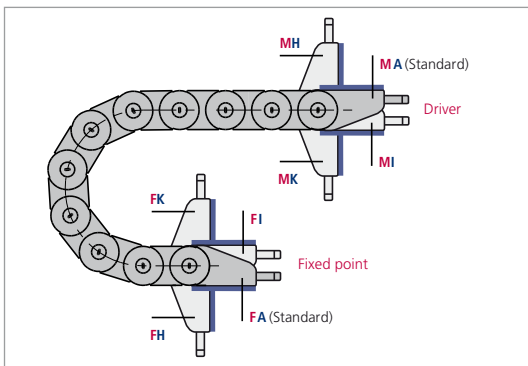
Table of dimensions

Plastic connecting elements with strain relief combs

Type	B_i	B_k	b_A	n_z
0250	20	30	-	1
0250	30	40	15	2
0250	40	50	23	3
0250	50	60	33	4
0250	65	75	48	5
0250	80	90	63	6

Dimensions in mm

Connection variants



Connection point

- M** – Driver
- F** – Fixed point

Connection type

- A** – Threaded joint outside (standard)
- I** – Threaded joint inside
- H** – Threaded joint, rotated through 90° to the outside
- K** – Threaded joint, rotated through 90° to the inside

In the standard version, the connectors are mounted with the threaded joint outwards (**FA/MA**). When ordering please specify the desired connection type (see ordering key on page 416). The connection type can subsequently be altered simply by varying the connectors.

Type 0345

Inside heights



Inside widths



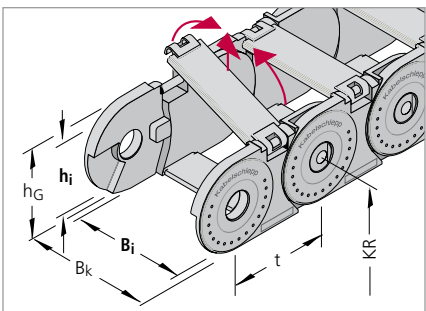
kabelschlepp.de

Fon: +49 2762 4003-0

Use our free project planning service.

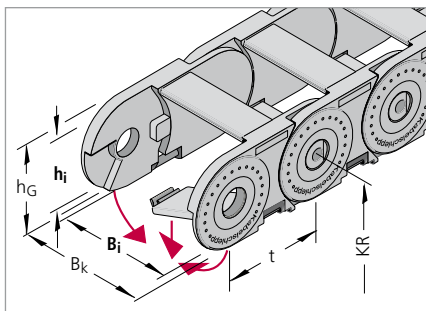
Design 030

Outside: Hinged, openable (on the right/left) and detachable brackets



Design 040

Inside: Hinged, openable (on the right/left) and detachable brackets



Dimensions and intrinsic chain weight

Type	h _i	h _G	Inside widths B _i								B _k	
			Intrinsic chain weight									
0345	20	28	15	20	25	38	50	65	90	–	–	B _i + 13
			0.43	0.45	0.46	0.50	0.53	0.57	0.71	–	–	

Dimensions in mm/Weights in kg/m

Bend radius and pitch

Type	Bend radii KR mm								Pitch t = 34.5 mm
0345	38	50	75	100	125	150	–	–	

Example of ordering

Cable carrier: **0345** · **040** · **65** · **75** - **690**

Type: Design Inside width B_i in mm Bend radius KR in mm Chain length L_k in mm (without connection)

Divider system: **TS 0** / **2**

Divider system: Number of dividers n_T

Connection: **FA/MA**

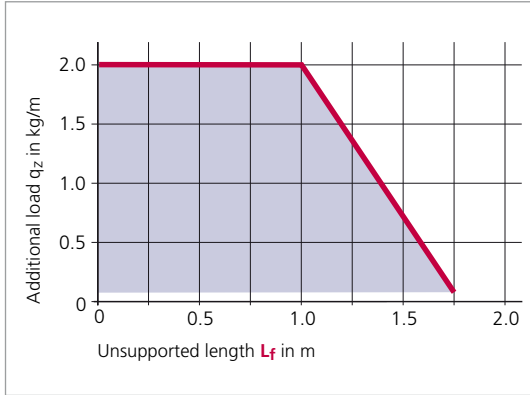
Connection: Fixed point/Driver

Ordering divider systems:
Please state the designation of the divider system (TS 0, TS 1 ...) and the number of dividers. Possibly attach a sketch with the dimensions.

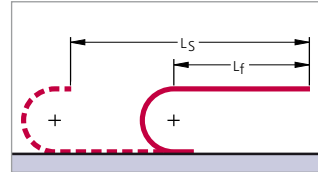
Type 0345

Load diagram

for unsupported length L_f depending on the additional load



Unsupported length L_f



In the case of longer travel lengths, sag of the cable carriers is technically permissible depending on the application.

In a gliding arrangement, even longer travel lengths are possible (see page 375).

We are at your service to advise on these applications.

Inside heights



Inside widths

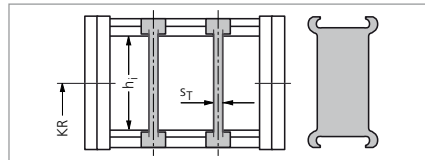


kabelschlepp.de

Divider system TS 0

Type	h_i mm	S_T mm
0345	20	2

The dividers can be moved in the cross section.



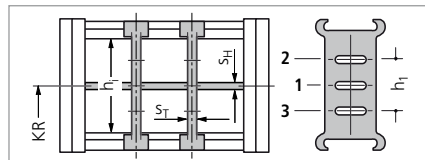
In the standard version, the divider systems are mounted on every second chain link.

Fon: +49 2762 4003-0

Divider system TS 1 with continuous height subdivision made of aluminum

Type	h_i mm	S_T mm	S_H mm	h_1 mm
0345	20	2	2	10

The dividers can be moved in the cross section.



In the standard version, the divider systems are mounted on every second chain link.

OnlineEngineer.de
Hersteller von KABELSCHLEPP
 Cable carrier configurations

Types 0345, 0455, 0555 and 0665

Design 050

Outside: Covered

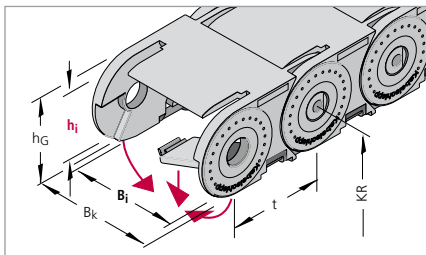
Inside: Hinged, openable (on the right/left) and detachable brackets

Inside
heights

20
—
44

Inside
widths

15
—
175



Dimensions and intrinsic chain weight

Type	h_i	h_G	Inside widths B_i						B_k
			Intrinsic chain weight						
0345	20	28	15	20	25	38	50	65	$B_i + 13$
			0.46	0.49	0.52	0.59	0.66	0.75	
0455	26	36	25	38	58	78	103	130	$B_i + 18$
			0.89	0.97	1.10	1.22	1.40	1.58	
0555	38	50	50	75	100	125	150	—	$B_i + 22$
			1.64	1.81	1.98	2.16	2.33	—	
0665	44	60	50	75	100	125	150	175	$B_i + 27$
			2.26	2.53	2.79	3.06	3.33	3.60	

Dimensions in mm/Weights in kg/m

kabelschlepp.de

Fon: +49 2762 4003-0

Bend radius and pitch

Type	Bend radii KR mm							
0345	38	50	75	100	125	150	—	—
0455	52	65	95	125	150	180	200	225
0555	63	80	100	125	160	200	230	—
0665	75	100	120	140	200	250	300	—

Pitch t:

Type 0345: 34.5 mm

Type 0455: 45.5 mm

Type 0555: 55.5 mm

Type 0665: 66.5 mm

Use our free
project planning service.

Example of ordering

Cable carrier

0555 · 050 · 100 · 125 - 1332

Type Design Inside width B_i in mm Bend radius KR in mm Chain length L_k in mm (without connection)

Divider system

TS 0 / 3

Divider system Number of dividers n_T

Connection

FA/MA

Connection Fixed point/Driver

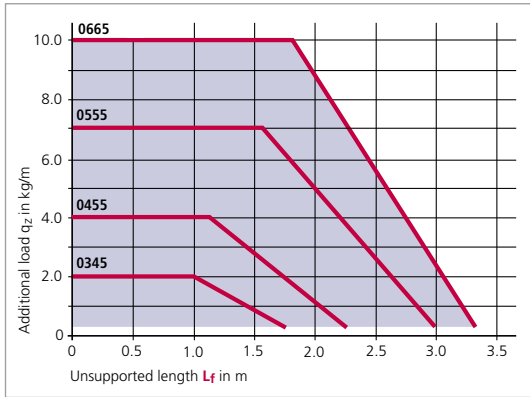
Ordering divider systems:

Please state the designation of the divider system (TS 0, TS 1 ...) and the number of dividers. Possibly attach a sketch with the dimensions.

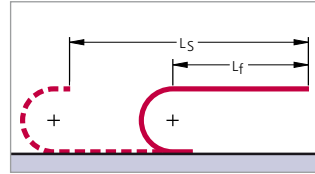
Types 0345, 0455, 0555 and 0665

Load diagram

for unsupported length L_f depending on the additional load



Unsupported length L_f



In the case of longer travel lengths, sag of the cable carriers is technically permissible depending on the application.

In a gliding arrangement, even longer travel lengths are possible (see page 375).

We are at your service to advise on these applications.

Inside heights



Inside widths



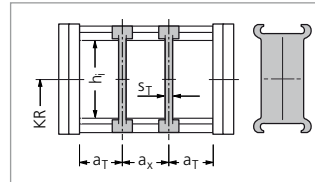
kabelschlepp.de

Divider system TS 0

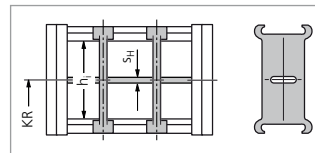
Type	h_i mm	S_T mm	a_x mm	B_i mm	a_T min mm
0455	26	3	20	25	12.5
0455	26	3	20	38, 58, 78	19
0455	26	3	20	103	21.5
0455	26	3	20	130	25
0555	38	3	25	50 ... 150	25
0665	44	5	25	50 ... 175	25

The dividers are fixed at an interval of a_x .

For Type 0665, the divider system TS 1 with a central height subdivision ($S_H = 4$ mm) is also available.



In the standard version, the divider systems are mounted on every second chain link.



Font: +49 2762 4003-0

OnlineEngineer.de
Division of KABELSCHLEPP
 Cable Carrier Engineering

Types 0345, 0455, 0555 and 0665

Strain relief devices for plastic connectors

Inside
heights

20
—
44

Inside
widths

15
—
175

kabelschlepp.de

Fon: +49 2762 4003-0

Use our free
project planning service.

106

ZLK – A

Connecting elements with integrated strain relief combs on both sides (ZLK – A)



ZLK – L

Connecting elements with screw-on type strain relief combs (ZLK – L)

The strain relief combs are generally supplied with the connecting elements.

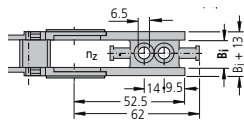
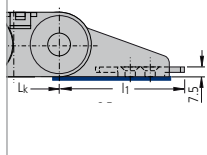
The combs are either clipped to the end connectors and bolted together with them, or screwed on at the desired intervals by using additional boreholes, behind the connecting elements.



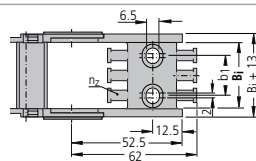
Connection dimensions for Type 0345

Connecting elements with integrated strain relief combs on both sides

ZLK – A



For chain width $B_i = 15 - 20$ mm



For chain width $B_i = 25 - 65$ mm

The dimensions of the fixed point and driver connections are identical.

Type	B_i	B_k	b_1	n_z
034515	15	28	–	1
034520	20	33	–	1
034525 *	25	38	13	2
034538	38	51	24	3
034550	50	63	36	4
034565	65	78	51	5

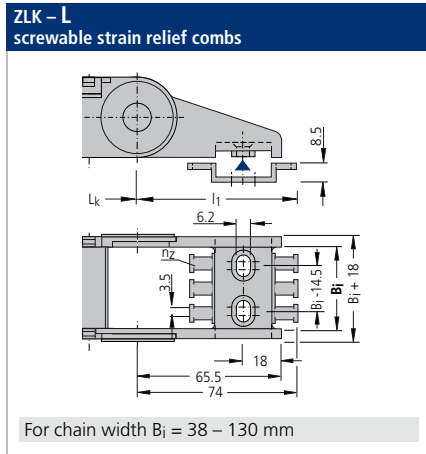
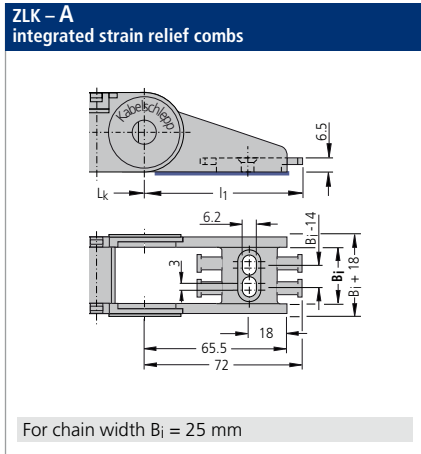
Dimensions in mm

* Type 034525 with 6.5 mm hole (not an elongated hole)
Connectors made of steel are available for carrier width $B_i = 90$ mm.

Types 0345, 0455, 0555 and 0665

Connection dimensions for Type 0455

Connecting elements with strain relief combs on both sides



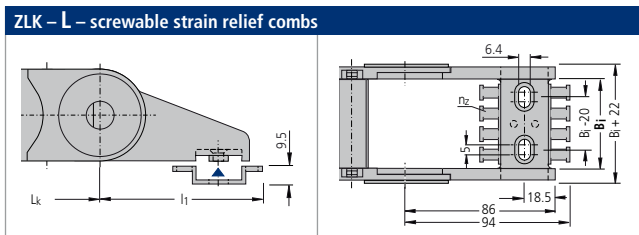
The dimensions of the fixed point and driver connections are identical.

Type	B_i	B_k	n_Z
0455....25	25	43	2
0455....38	38	56	3
0455....58	58	76	4
0455....78	78	96	6
0455....103	103	121	8
0455....130	130	148	10

Dimensions in mm

Connection dimensions for Type 0555

Connecting elements with strain relief combs on both sides



The dimensions of the fixed point and driver connections are identical.

Type	B_i	B_k	n_Z
0555....50	50	72	4
0555....75	75	97	6
0555....100	100	122	8
0555....125	125	147	10
0555....150	150	172	12

Dimensions in mm

Subject to change.

Inside heights



Inside widths



kabelschlepp.de

Fon: +49 2762 4003-0

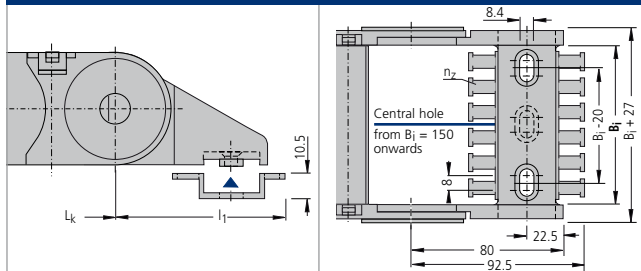
OnlineEngineer.de
Info- & KABELSCHLEPP
 CAD-Center-Engineer

Types 0345, 0455, 0555 and 0665

Connection dimensions for Type 0665

Connecting elements with strain relief combs on both sides

ZLK – L – screwable strain relief combs



The dimensions of the fixed point and driver connections are identical.

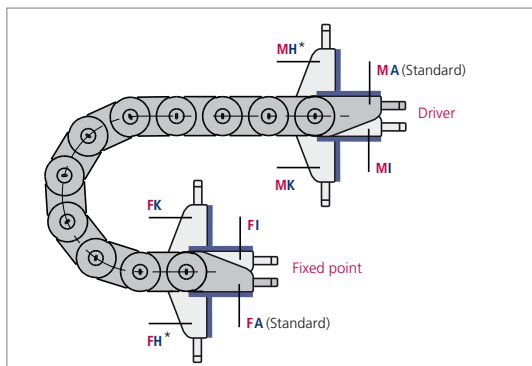
Type	B_i	B_k	n_z
066550	50	77	4
066575	75	102	6
0665100	100	127	8
0665125	125	152	10
0665150	150	177	12
0665175	175	202	14

Dimensions in mm

Fon: +49 2762 4003-0

Use our free project planning service.

Connection variants



Connection point

- M** – Driver
- F** – Fixed point

Connection type

- A** – Threaded joint outside (standard)
- I** – Threaded joint inside
- H** – Threaded joint, rotated through 90° to the outside
- K** – Threaded joint, rotated through 90° to the inside

In the standard version, the connectors are mounted with the threaded joint outwards (**FA/MA**).

When ordering please specify the desired connection type (see ordering key on page 416).

The connection type can subsequently be altered simply by varying the connectors.

* not in the case of UNIFLEX design 060

Types 0345, 0455, 0555 and 0665

Connection dimensions

UMB (Universal Mounting Brackets) made of aluminum

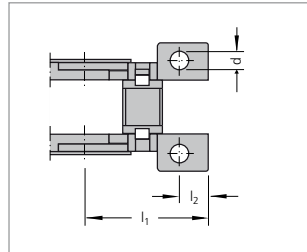
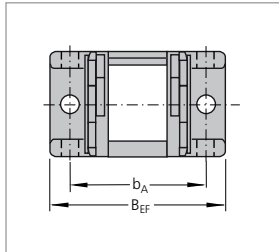
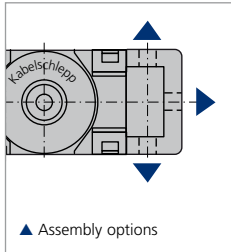


Universal connectors for connection above, below or at the front.

Inside heights



Inside widths



The dimensions of the fixed point and driver connections are identical.

Type	B_{EF}	b_A	l_1	l_2	d
0345	$B_i + 30$	$B_i + 20$	36	9	5.5
0455	$B_i + 30$	$B_i + 20$	47	10.5	5.5
0555	$B_i + 40$	$B_i + 28$	57	13.5	6.5
0665	$B_i + 44$	$B_i + 28$	68	14.5	8.5

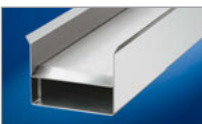
Dimensions in mm

kabelschlepp.de

Fon: +49 2762 4003-0

OnlineEngineer.de
Online-Kabelschlepp-Experte
 Cable Carrier Configuration

Guide channels
 ▶ from page 375



Strain relief devices
 ▶ from page 381



Cables for cable carrier systems
 ▶ from page 438



Subject to change.